

SF660(P)



**Mounting Pattern**  
824x 405mm  
(32.44" x 15.95")



**Max Load**  
200lb  
(91kg)

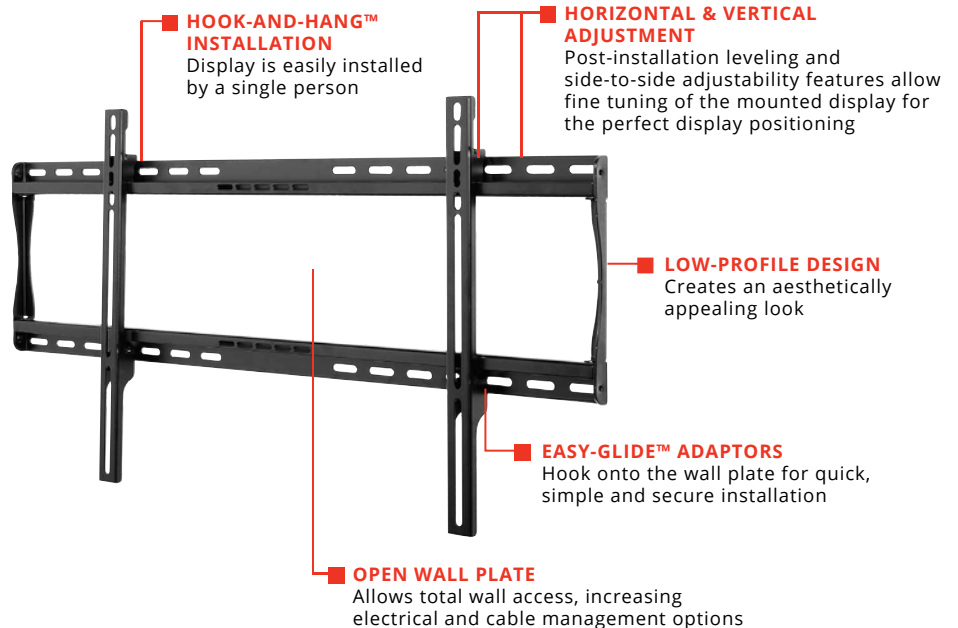
**SMARTMOUNT.**

# Universal Flat Wall Mount

FOR 39" TO 80" DISPLAYS\*

The SmartMount® Universal Flat Wall Mount series offers the most versatile installation features and mounting options. Horizontal and vertical adjustment abilities allow for post installation leveling and side-to-side positioning, making it easier than ever to find the perfect TV position. The SF660(P) models' low-profile design offers a sleek, aesthetically pleasing look to fit into any décor. Security screws provided in the SF660 models deter tampering and theft. The open wall plate design offers total wall access, increasing the electrical and cable management options. The display can now simply be installed by a single person with the Hook-and-Hang™ system. The Easy-Glide™ adaptors hook onto the wall plate for an overall quick, simple and secure installation.

- Universal mount fits displays with mounting patterns up to 824 x 405mm (32.44" W x 15.95" H) and accommodates up to 800 x 400mm VESA® patterns
- Low-profile design holds display only 1.20" (30mm)
- Up to 0.25" (6mm) of vertical adjustment on each universal display adaptor bracket for post-installation leveling and height adjustment fine-tuning
- Horizontal display adjustment up to 8.00" (203mm) for centering display on wall
- Includes all necessary wall and display attachment hardware
- Integrated security options available
- Design is UL listed and tested to four times stated load capacity
- For mounts requiring theft resistant hardware, installed with security tool (included), please purchase SF660
- For mounts requiring standard hardware, installed with a Philips screwdriver, please purchase SF660P



Low-profile design for a sleek, yet compact installation.



Comes in color packaging with included installation hardware and easy to follow instructions.



Please visit [peerless-av.com/en-us/patents](http://peerless-av.com/en-us/patents) for patent information.

\*This display size range is simply a guideline for product selection. Displays larger than the screen size range may still be compatible as long as they fall within the VESA® pattern and max weight of the Peerless-AV® product.

✉ [info@peerless-av.com](mailto:info@peerless-av.com)  
🌐 [peerless-av.com](http://peerless-av.com)

**peerless-AV®**  
Driving Technology Through Innovation

<b>SF660P</b>	SmartMount® Universal Flat Wall Mount for 39" to 80" Displays - Standard Models
<b>SF660</b>	SmartMount® Universal Flat Wall Mount for 39" to 80" Displays - Security Models

Product Specifications

	DIMENSIONS (W x H x D)	PRODUCT WEIGHT	LOAD CAPACITY	FINISH	AVAILABLE COLORS
<b>SF660(P)</b>	34.12" x 16.89" x 1.20" (867 x 429 x 30mm)	5.60lb (2.54kg)	200lb (91kg)	Scratch Resistant Fused Epoxy	Semi-Gloss Black

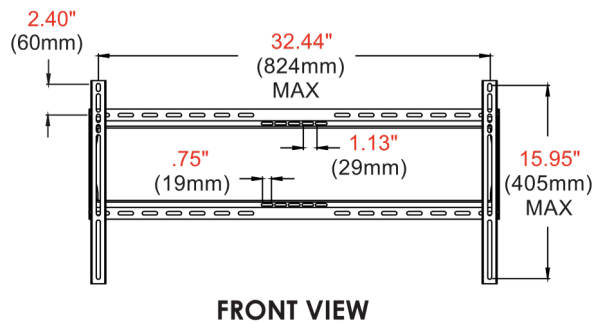
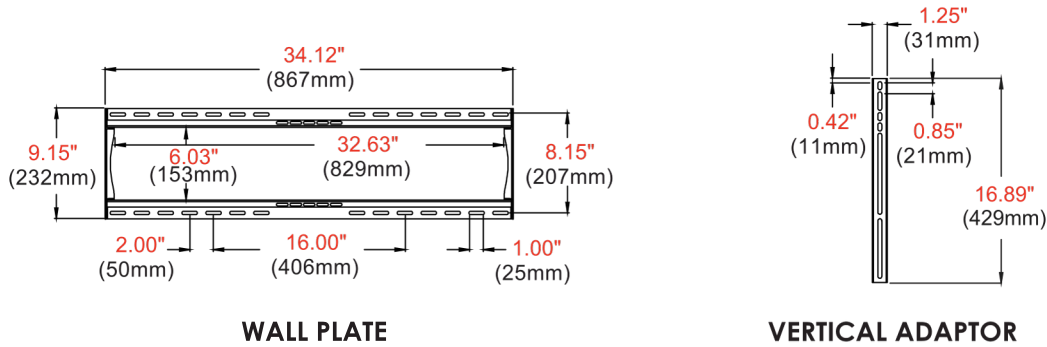
Package Specifications

	PACKAGE SIZE (W x H x D)	PACKAGE SHIP WEIGHT	PACKAGE UPC CODE	PACKAGE CONTENTS	UNITS IN PACKAGE
<b>SF660(P)</b>	36.41" x 1.57" x 10.71" (925 x 40 x 272mm)	7.60lb (3.45kg)	SF660: 735029235590 SF660P: 735029235620	Wall Mount, Wall and Display Installation Hardware, Installation Instructions	1

Accessories

- ACC309:** Video Conference Shelf
- ACC415:** 4-pack Metal Stud Fastener Kit
- ACC925:** Security Fasteners for V200x200 to V800x400 Mounts
- ACC-M835:** Security Fast-Pack, M8x25 & M8x35
- ACC-UCM:** Universal AV Component Mount
- ACC-V600X:** 600mm Extension for 400mm Adaptors
- ACC-V900X:** 600, 800 or 900mm Extension for 400mm Adaptors
- ACC-WMVCS:** Video Conferencing Shelf
- ACSB1:** Universal Sound Bar Mounting Kit
- ESHV models:** AV Wall Shelves
- IBA4-W:** Easy Mount Recessed Low Voltage Cable Plate
- IBA5-W:** Recessed Low Voltage Media Plate w/ Duplex Surge Protector
- IB14X9-W:** 14x9" In-Wall Box
- IB14X9-AC-W:** 14x9" In-Wall Box with Duplex Surge Protector
- IB14X14-W:** 14x14" In-Wall Box
- IB14X14-AC-W:** 14x14" In-Wall Box with Duplex Surge Protector

All dimensions = inch (mm)



Call us at (833) 351-5333  
Visit us: [www.elevate-b2b.com](http://www.elevate-b2b.com)

**Contact Elevate B2B Today**  
Your trusted partner for hospitality TVs, digital signage, and commercial display solutions. From installation to supply chain support, Elevate B2B delivers the technology and service your property needs.

Visit [peerless-av.com](http://peerless-av.com) to see the complete line of AV solutions from Peerless-AV, including outdoor displays, kiosks, display mounts, projector mounts, and a full assortment of accessories.

**Peerless-AV**  
2300 White Oak Circle  
Aurora, IL 60502 USA  
(800) 865-2112  
(630) 375-5100  
Fax: (800) 359-6500

**Peerless-AV EMEA**  
Unit 3 Watford Interchange  
Colonial Way, Watford  
United Kingdom  
Unit: WD24 4WP  
+44 (0) 1923 200100  
Fax: +44 (0) 1923 200101

**Peerless-AV Latin America**  
Av. de las Industrias 413  
Parque Industrial Escobedo  
General Escobedo, N.L.,  
Mexico, 66602  
+52 (81) 8384-8300  
Fax: +52 (81) 8384-8360