

SF640(P)



Mounting Pattern
450 x 405mm
(17.72" x 15.95")



Max Load
150lb
(68kg)

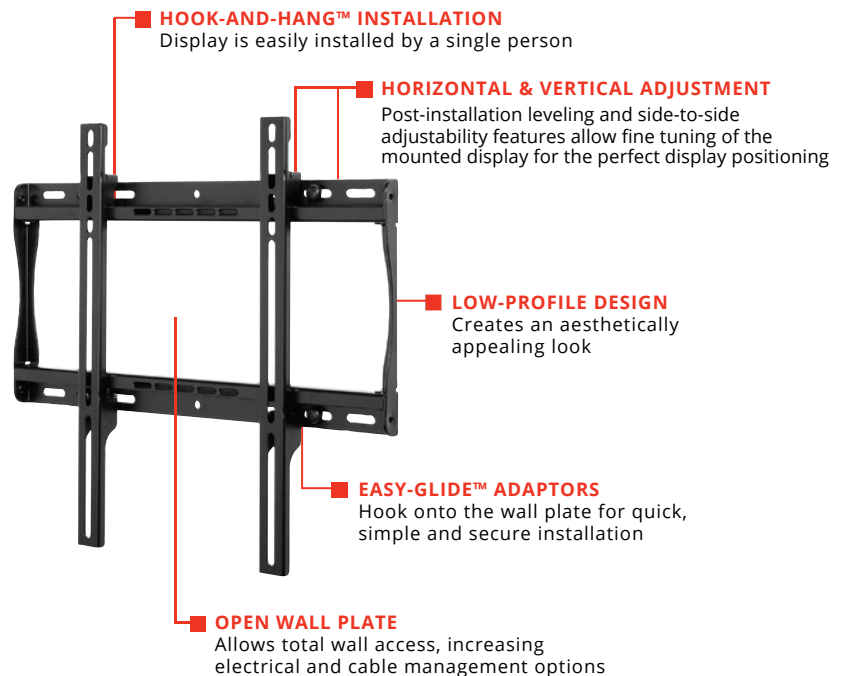
SMARTMOUNT.

Universal Flat Wall Mount

FOR 32" TO 50" DISPLAYS*

The SmartMount® Universal Flat Wall Mount series offers the most versatile installation features and mounting options. Horizontal and vertical adjustment abilities allow for post installation leveling and side-to-side positioning, making it easier than ever to find the perfect TV position. The SF640(P) models' low-profile design offers a sleek, aesthetically pleasing look to fit into any décor. Security screws provided in the SF640 models deter tampering and theft. The open wall plate design offers total wall access, increasing the electrical and cable management options. The display can now simply be installed by a single person with the Hook-and-Hang™ system. The Easy-Glide™ adaptors hook onto the wall plate for an overall quick, simple and secure installation.

- Universal mount fits displays with mounting patterns up to 450 x 405mm (17.72" W x 15.95" H) and accommodates up to 400 x 400mm VESA® mounting patterns
- Low-profile design holds display only 1.20" (30mm)
- Up to 0.25" (6mm) of vertical adjustment on each universal display adaptor bracket for post-installation leveling and height adjustment fine-tuning
- Horizontal display adjustment up to 6.00" (152mm) for centering display on wall
- Landscape to portrait mounting options increases installation versatility. Please check display dimensions against the wall plate when used in portrait mode**
- Includes all necessary wall and display attachment hardware
- Integrated security options available
- Design is UL listed and tested to four times stated load capacity
- For mounts requiring theft resistant hardware, installed with security tool (included), please purchase SF640
- For mounts requiring standard hardware, installed with a Philips screwdriver, please purchase SF640P



Low-profile design for a sleek, yet compact installation.



Comes in color packaging with included installation hardware and easy to follow instructions.



Please visit peerless-av.com/en-us/patents for patent information.

*This display size range is simply a guideline for product selection. Displays larger than the screen size range may still be compatible as long as they fall within the VESA® pattern and max weight of the Peerless-AV® product. **Requires display to be removed and reset on mount

✉ info@peerless-av.com
🌐 peerless-av.com

peerless-AV®
Driving Technology Through Innovation

SF640P	SmartMount® Universal Flat Wall Mount for 32" to 50" Displays - Standard Models
SF640	SmartMount® Universal Flat Wall Mount for 32" to 50" Displays - Security Models

Product Specifications

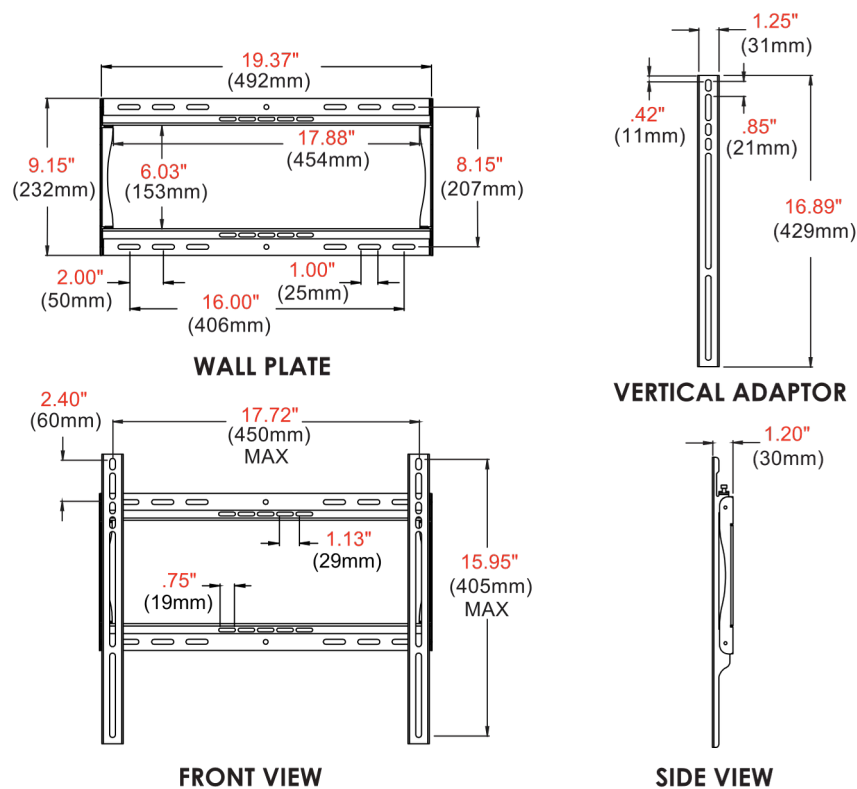
	DIMENSIONS (W x H x D) 19.37" x 16.89" x 1.20" (492 x 429 x 30mm)	PRODUCT WEIGHT 3.95lb (1.80kg)	LOAD CAPACITY 150lb (68kg)	FINISH Scratch Resistant Fused Epoxy	AVAILABLE COLORS Semi-Gloss Black
SF640(P)					

Package Specifications

	PACKAGE SIZE (W x H x D) 21.69" x 1.57" x 10.71" (551 x 40 x 272mm)	PACKAGE SHIP WEIGHT 5.40lb (2.45kg)	PACKAGE UPC CODE SF640: 735029235651 SF640P: 735029235675	PACKAGE CONTENTS Wall Mount, Wall and Display Installation Hardware, Installation Instructions	UNITS IN PACKAGE 1
SF640(P)					

Accessories

- ACC309:** Video Conference Shelf
- ACC415:** 4-pack Metal Stud Fastener Kit
- ACC925:** Security Fasteners for V200x200 to V800x400 Mounts
- ACC-M835:** Security Fast-Pack, M8x25 & M8x35
- ACC-UCM:** Universal AV Component Mount
- ACC-V600X:** 600mm Extension for 400mm Adaptors
- ACC-V900X:** 600, 800 or 900mm Extension for 400mm Adaptors
- ACC-WMVCs:** Video Conferencing Shelf
- ACSB1:** Universal Sound Bar Mounting Kit
- ESHV models:** AV Wall Shelves
- IBA4-W:** Easy Mount Recessed Low Voltage Cable Plate
- IBA5-W:** Recessed Low Voltage Media Plate w/ Duplex Surge Protector
- IB14X9-W:** 14x9" In-Wall Box
- IB14X9-AC-W:** 14x9" In-Wall Box with Duplex Surge Protector
- IB14X14-W:** 14x14" In-Wall Box
- IB14X14-AC-W:** 14x14" In-Wall Box with Duplex Surge Protector



Architect Specifications

The SmartMount® Universal Flat Wall Mount shall be a Peerless-AV model SF640(P) and shall be located where indicated on the plans. Assembly and installation shall be done according to instructions provided by the manufacturer.



Call us at (833) 351-5333
Visit us: www.elevate-b2b.com

Contact Elevate B2B Today

Your trusted partner for hospitality TVs, digital signage, and commercial display solutions. From installation to supply chain support, Elevate B2B delivers the technology and service your property needs.