



\* All images in this datasheet are for illustrative purposes only.

## CommercialTV LN570H / LN560H Series

Commercial Lite

Pro:Centric Value

Pro:Centric Enhanced

Pro:Centric Smart

# Pro:Centric Hospitality TV with Integrated Pro:Idiom



Pro:Centric Solutions



Game Optimizer



Commercial Swivel Stand



Pro:Idiom

LN570H / LN560H		32LN570HBUA	32LN560HBUA
Design	StandType	1 pole (Swivel)	1pole (Swivel)
	Size	32" HD (1,366 × 768)	32" HD (1,366 × 768)
Display	Resolution	768 LCD ATSC /	HD (1,366 × 768)
	Type	Clear QAM NTSC	LCD
Broadcasting System	Digital	Yes 200 × 200 mm	ATSC / Clear QAM
	Analog		NTSC
b-LAN			No
VESA			200 × 200 mm



## Pro:Centric Direct

The hotel content management solution Pro:Centric Direct (“PCD”) offers easy and simple editing tools, making it easy to perform service and IP network-based remote management with a single click. The Pro:Centric Direct solution enables users to edit their interface easily by providing customized interface and efficiently manages all TVs in the room. The latest PCD version provides IoT-based in-room control as well as voice control function through LG Natural Language Processing (NLP). These IoT and voice-related functions will be your starting point to prepare for the hotel rooms of next generation through artificial intelligence.

\* Some features may not be supported based on PCD versions.



## Game Optimizer

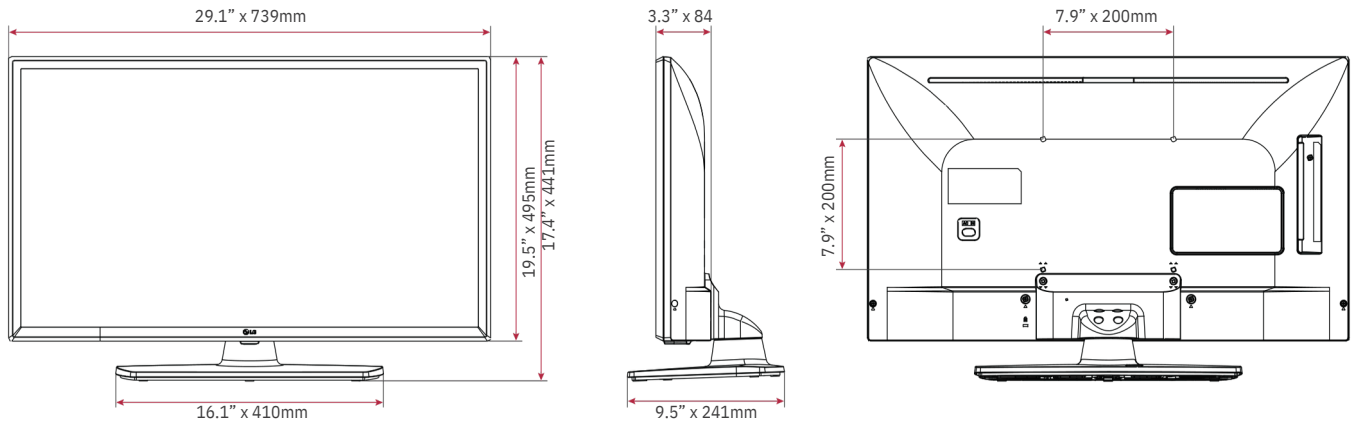
LG Game Optimizer will get you and keep you in the action through selection of game mode and picture adjustment.



## Pro:Idiom

LG’s Pro:Idiom Digital Rights Management (DRM) technology provides access to premium content while protecting the content license holders to help assure legitimate, rapid and broad deployment of HDTV and other high-value digital content.

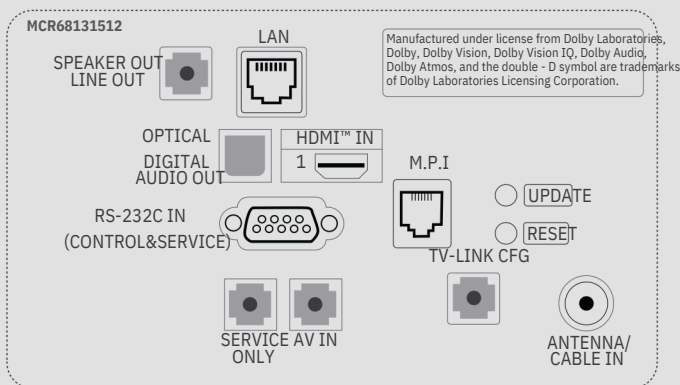
## DIMENSIONS



## CONNECTIVITY

### LN570H Series 32"

Rear

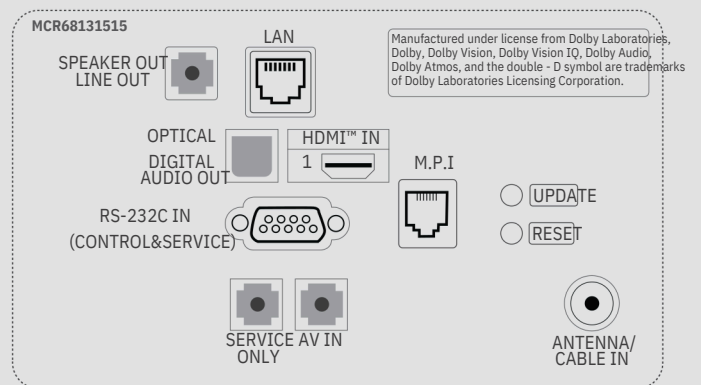


Side

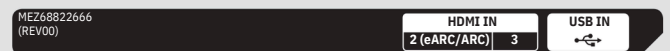


### LN560H Series 32"

Rear



Side



## SPECIFICATIONS

	32LN570HBUA	32LN560HBUA
<b>Display</b>	Size	32"
	Resolution	1,366 × 768 (HD)
	Brightness (Typ.)	Up to 240 nits
<b>Video</b>	HDR 10 Pro	Yes
	HDR HLG (Hybrid Log Gamma)	Yes
	Game Optimizer	Yes
<b>Audio (Sound)</b>	Speaker (Audio Output)	10 W
	AI Sound	Yes
<b>Broadcasting System</b>	Digital	ATSC / Clear QAM
	Analog (NTSC / SECAM / PAL)	NTSC
<b>Hospitality Solution</b>	Solution Type	Pro:Centric (Smart, Direct, V)
	Pro:Idiom (DRM / Media)	Yes / Yes
<b>Smart Feature</b>	webOS22, HDMI-eARC/ARC (HDMI2), Anti-theft System (Kensington Lock, Credenza/Security Aperture (Need Stand), Lock Down Plate (requires stand))	
<b>Hospitality Feature</b>	EzManager, USB Cloning, Wake on RF, Diagnostics (Self Diagnostics (USB)), HTNG-CEC (1.4), Simplink (HDMI-CEC (1.4)), IR Out (RS-232C, MPI), Multi-code IR, Installer Menu, Welcome Screen (Splash Image), Insert Image, One Channel Map (LCM), External Speaker Out / Line Out, Instant ON, Port Block, RJP (Remote Jack Pack) Compatibility, b-LAN (Only 32LN570HBUA), Energy Saving Mode, NTP Sync Timer, Video Tag (2 Videos)	
<b>Connectivity</b>	HDMI In (x3), USB 2.0, RF In, AV In, Digital Audio Out (Optical), Speaker Out / Line Out (3.5 mm Stereo), RJ45 (Usage Purpose (Pro:Centric)), RS-232C In (3.5 mm TRRS), TV Link Configuration (3.5 mm Stereo (Only 32LN570HBUA)), LG Service Only (3.5 mm Stereo), MPI Port (RJ12 Jack)	
<b>Mechanical</b>	VESA Compatible	200 × 200 mm
	Stand Type	1 pole (Swivel)
	Front Color	Ceramic Black
	Dimensions without Stand (W x H x D)	29.1 x 17.4 x 3.3 in. / 739 × 441 × 84 mm
	Dimensions with Stand (W x H x D)	29.1 x 19.5 x 9.5 in. / 739 × 495 × 241 mm
	Shipping Dimensions (W x H x D)	35.6 x 20.9 x 6.4 in. / 905 × 530 × 162 mm
	Weight without Stand	10.7 lbs. / 4.85 kg
	Weight with Stand	13.3 lbs. / 6.05 kg
	Shipping Weight	16.2 lbs. / 7.35 kg
		On Bezel Width (L/R/U/B)
	Off Bezel Width (L/R/U/B)	18.8 / 18.8 / 18.8 / 21.6 mm
<b>Electrical</b>	Power Supply (Voltage, Hz)	120 Vac, 50-60 Hz
	Power Consumption (Typ. / Max.)	38 W / 45 W
	Standby Power Consumption	Under 0.5 W
<b>Warranty &amp; Other</b>	Warranty	3 Year Limited
	Certification	UL
	Regulatory (EMC)	FCC
	Accessories	AV-to-RCA Adapter (3.5 mm), Power Cable (1.8 m Angle Type)

\* Specifications are subject to change without notice. Please make sure to check the product manual for details about product usage.



Call us at (833) 351-5333  
Visit us: [www.elevate-b2b.com](http://www.elevate-b2b.com)

#### Contact Elevate B2B Today

Your trusted partner for hospitality TVs, digital signage, and commercial display solutions. From installation to supply chain support, Elevate B2B delivers the technology and service your property needs.