



* All images are for illustrative purposes only.

LG UltraFine Display OLED Pro 65EP5G

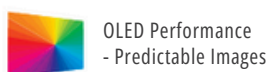
Versatile OLED with Accurate Color,* Configurable to Suit Your Needs



reddot winner 2021



Equip your facility with LG's 65EP5G OLED professional monitor that has been developed to help meet the needs and workflows of creatives in content production, post-production, and distribution. 65EP5G builds upon the capabilities of LG's OLED displays recognized by a Technology and Engineering Emmy® award and incorporates additional features and functionality to help meet the needs of professionals.



OLED Performance
- Predictable Images



Self Emissive Pixels
- Maximum Local Contrast



Advanced Video Formats
- HDR-10, HLG, Dolby Vision



Hardware Level Calibration
Multiple 1D, 3D LUTs

*The LG 65EP5G meets the color accuracy requirements of a grade 1 monitor per EBU Tech 3325 ver. 2.0 Section 2.6 – Color Gamut and Color Reproduction.

* 65 inch (65EP5G)



* All images are for illustrative purposes only.

Accurate Color* with a Large Screen

The LG 65EP5G OLED Pro display features a new custom user interface that allows for independent selection from twenty calibratable 1D LUTs (10 x SDR, 10 x HDR, 10 x Dolby Vision) and from one hundred calibratable 3D LUTs (50 x SDR, 50 x HDR). 3D LUTs can be individually created for SDR or HDR modes of operation, and for of the five supported color spaces (BT.709, BT.2020, sRGB, P3 and Adobe RGB). In addition, the UI allows selection from ten 1D LUTs for SDR and ten 1D LUTs for HDR that can be calibrated to achieve different white points with accurate PQ tracking and SDR gamma performance.



Calibration and Diverse I/O Interfaces

The 65EP5G OLED Pro display has independently-controlled self-emissive pixels and includes LG's proprietary SuperSign™ software for white balance. The display also natively supports CalMAN color calibration software for superior picture quality. A variety of input interfaces are provided including HDMI, quad loop-thru 12G SDI (BNC), and IP (via SFP+). Supported IP formats include ST-2110 and ST-2022-6.** A Genlock input is also included for use in broadcast and virtual production applications.



Convenience and Functionality

The control panel provides shortcuts to frequently used functions and profiles featuring different monitor settings and picture quality options. In addition, various 3rd party control surfaces can be used to control the monitor via available APIs. Also, a variety of user selectable on-screen features are available such as Markers, Zoom, Time code functions, Audio Level Meters, and Waveform & Vector Scopes.

*The LG 65EP5G meets the color accuracy requirements of a grade 1 monitor per EBU Tech 3325 ver. 2.0 Section 2.6 – Color Gamut and Color Reproduction.

**Use of CalMan and measurement to ST-2210 and ST-2022 standards require separate third-party software and hardware to perform.

PRODUCT INFORMATION

* 65 inch

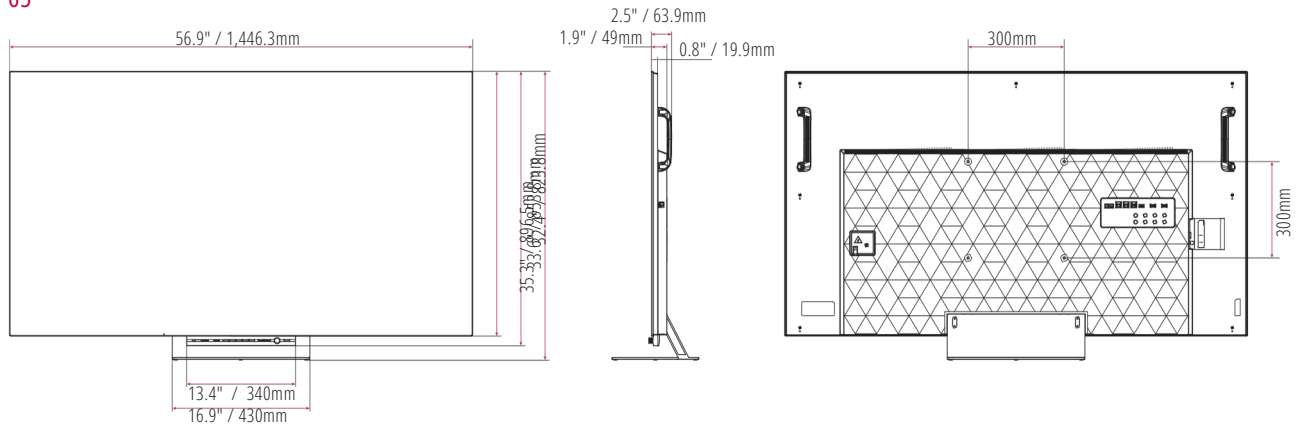


65EP5G

Design Type	Desktop Stand (Rear: Handles, VESA Mount Capable)
Panel / Resolution	OLED / 3,840 × 2,160 (UHD)
Peak Luminescence	770 / 430 / 180 nit @D65 (APL 10% / 25% / 100%)
Calibration	Programmable 1D/3D Hardware LUTs, CalMAN-Ready, LG SuperSign Software (White Balance) (Uniformity to EBU Grade 1 level)
Connectivity	SDI, SFP+, HDMI, Audio Output, LAN, Remote In/Out, USB, RS-232C, REF In (Gen-Lock)
Functions	Marker, Audio Level Meter, Waveform/Vector Scope, Time Code

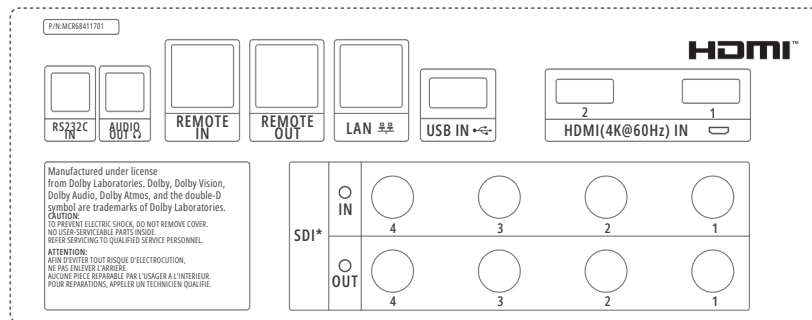
DIMENSIONS

65"



CONNECTIVITY

Rear



Side



* SDI Supporting Resolution: 1) Single Link : SD/HD/3G/6G/12G, 2) Dual Link : HD/3G_4K, 3) Quad Link : HD_4K/3G_4K
 * Dimensions & Jack Panels may differ from the above image, so please contact LG sales team to verify before ordering.

65EP5G	
PANEL	Screen Size: 65"
	Panel Technology: LG OLED
	Aspect Ratio: 16:9
	Native Resolution: 3840 x 2160 (UHD)
	Refresh Rate: 120 Hz
	Peak Luminance: 1000 nits (APL 3%), 800 nits (APL 10%), 500 nits (APL 25%), 150 nits (APL 100%)
	Contrast Ratio: Infinite
	Color gamut: P3 99%
	Viewing Angle (H x V): 178° x 178°
	Color Depth: 10 bit, 1.07 Billion colors
	Response Time (G to G): 1 ms
	Lifetime (Typical): 30,000 Hours
	Operation Hours (Hours/Day): 12/7 (Moving Content Only)
Orientation: Landscape Only	
CONNECTIVITY	HDMI In (x2), HDCP2.2 (HDMI2.1)
	SDI (x4) Loop-through, Single Link: SD/HD/3G/6G/12G, Dual Link: HD/3G_4K, Quad Link: HD_4K/3G_4K
	RS232C In
	RJ45 (LAN)
	RJ45 (Remote Control) GPI-7 Port
	SFP+ (SDI, IP)
	IR In
	USB2.0 Type A
	AC Power
	3.5mm Stereo Headphone Out
	Gen Lock: Black Burst, Tri-Level
Bezel Color: Black	
MECHANICAL	Bezel Width (Off Bezel): 2.0mm Even Bezel
	Bezel Width (On Bezel): T/R/L/B: 8.7 / 8.9 / 8.9 / 11.6 mm
	Weight: 68.3 lbs / 31 kg
	Weight with Stand: 75 lbs / 34 kg
	Shipping Weight: 81.6 lbs / 37 kg
	Dimensions without Control Box (W x H x D): 56.9 x 32.4 x 1.9 in, 1446.3x 823.8 x 49 mm
	Dimensions without Control Box with Stand (W x H x D): 56.9 x 35.3 x 10.7 in, 1446.3 x 896.5 x 272 mm
	Dimensions with Control Box (W x H x D): 56.9 x 33.6 x 2.2 in, 1446.3x 853.8 x 56.5 mm
	Shipping Dimensions (W x H x D): 65.3 x 7.5 x 38.2 in, 1660 x 190 x 970 mm
	Carrying Handle (x2, Rear)
	300 x 300 VESATM Standard Mount Interface
Operation Temperature: 32°F to 104°F, 0°C to 40°C	
ENVIRONMENT & POWER	Operation Humidity: 10% to 80%
	Built-in Power Supply: 100-240 Vac, 50/60Hz
	Power Consumption (Typical): 285 W, 1054 BTU/Hr
	Power Consumption (Max.): 470 W, 1085 BTU/Hr
	Temperature Sensor
	"Power Indicator: Standby (Red), Power On (White)"
	Picture In Picture (PIP)
	Picture By Picture (PBP) (x2)
	Adjustable OLED Light, Brightness, Contrast, Chroma, Sharpness, Tint
	White Point Settings: 9300K / 6500K / 5400K / 3200K / D65 / Illum. C / D-Cinema / 2-pt White Balance / 10-pt White Balance / 22-pt White Balance

65EP5G	
FEATURES	Color Space: Native / P3 / BT.709 / SMPTE-C / BT.2020 / EBU / Adobe RGB / NTSC
	EOTF Custom Gamma / 1.9/2.2/2.4/2.6/HDR10 / HLG / Dolby Vision
	YCbCr Transfer Matrix: Auto / BT.709 / BT.601 / BT.2020
	HDR Metadata for Mastering Peak: Auto / None / 400 / 540 / 700 / 1000 / 2000 / 3000 / 4000 / 10000
	SDI Color Format: Auto / RGB444 / YCbCr444 / YCbCr422
	SCAN: Zero Scan / Over Scan / Under Scan / Pixel to Pixel
	AFD (Active Format Description)
	Aspect Ratio: 16:9 / 4:3 / 14:9 / 13:9 / 1.85:1 / 2.35:1
	Zoom: 2x, 3x, 4x, 5x
	Color Options: RGB / Monochrome / Blue Channel Only
	Optional Picture Processing: Noise Reduction, MPEG Noise Reduction, Black Level, Real Cinema, Motion Eye Care, Dynamic Tone Mapping, Dynamic Contrast, Dynamic Color
	Markers (adjustable thickness and color): Off / 16:9 / 4:3 / 14:9 / 13:9 / 1.85:1 / 2.35:1 / User Marker 1 / User Marker 2 / User Marker 3
	Safety Area Markers: Off 16:9 (95%, 93%, 90%, 88%, 85%, 80%) 4:3 (95%, 93%, 90%, 88%, 85%, 80%)
Center Marker	
Marker Configurations: Preset 1-2	
Audio Source Selection: SDI1 / SDI 2 / SDI 3 / SDI 4 / SFP+	
On-screen Audio Meters: 16 Audio Channels	
On-screen Scopes: Waveform Monitor, Vectorscope	
ADVANCED FEATURES	Ten User Selectable/Configurable Profiles (Password Protected)
	Programmable Function Keys F1-F5
	UMD (Under Monitor Display): Custom Text On-screen
	VPID Displayed On-screen
	Control Panel (Enable/Disable)
	HDMI Ultra HD Deep Color
	Configurable OLED Panel Settings: Auto-Dimming, Screen Shift, Screen Saver
	Remote Control: IP Web API, RJ45 GPI, Infrared
	Auto-shutdown (Enable/Disable): No Signal/No IR
	Closed Captions (608, 708)
	Factory Reset
Calibration Software Support: Calman, LG Supersign WB, Internal Pattern Generator	
CERTIFICATIONS & OTHER	FCC Class "A" (Regulatory)
	CE (Regulatory) ErP (Environmental)
	Accessories: Remote Control (batteries x2), Quick Start Guide, 3.5mm Stereo-to-DE9 Serial Port Adapter