



\* All images in this datasheet are for illustrative purposes only.



## Touch Open Frame

# New In-Cell Touch Open Frame for Optimal Customization



Slim & Light



Clear Picture Quality



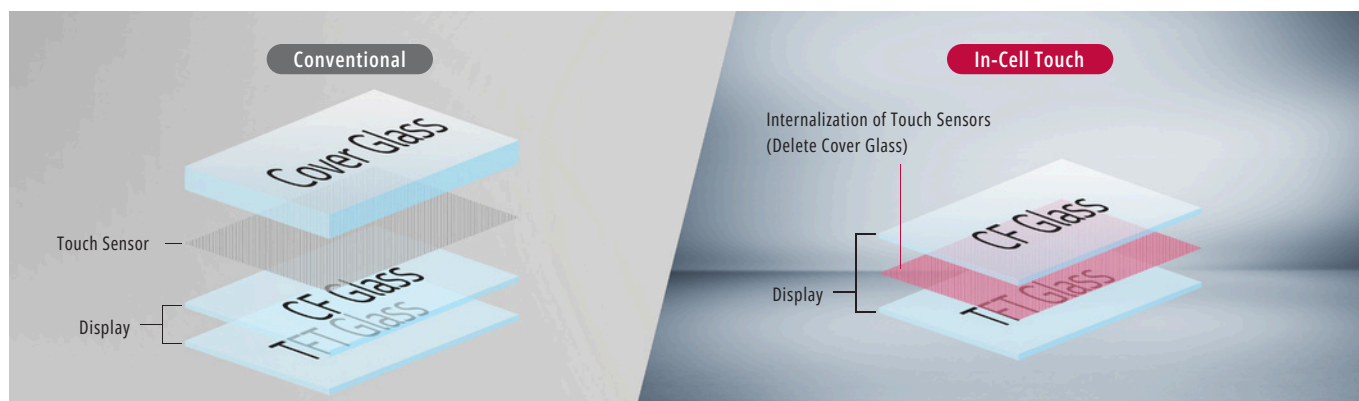
Design Flexibility



Ready for Commercial Uses

### TNF5J / TNF3K

	Inch	55" / 43" / 32" / 27"
	Native Resolution	3,840 × 2,160 (UHD) (55" / 43") 1,920 × 1,080 (FHD) (32" / 27")
Display	Brightness	450 nits (55"), 500 nits (43" / 32"), 300 nits (27")
	Operation Hours	24 / 7 (Hours / Days)
	Portrait / Landscape	Yes / Yes
Touch	Multi-Touch Point	Max. 10 Points
Connectivity	Input	HDMI (x2), RS-232C In, RJ45(LAN), IR In, USB2.0 Type A
	Output	Audio Out, Touch USB (USB 2.0 Type B)



## Slim & Light

The In-Cell Touch Open Frame has a touch function built into the display, allowing for the implementation of a slim design and a narrow bezel compared to general touch products that require additional touch parts (Film).



## Clear Picture Quality

Compared to general touch products, TNF5J implements clear picture quality without milk effects caused by additional touch sensor film parts.



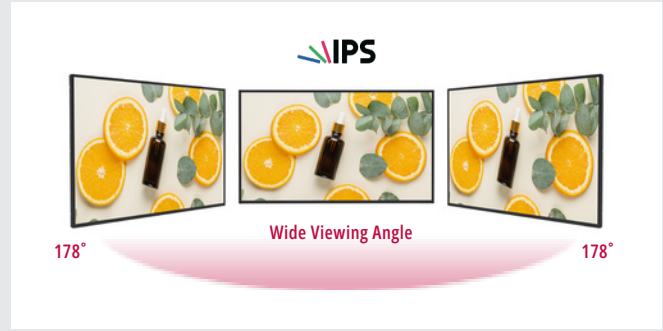
## Design Flexibility

By providing integrated parts such as touchscreen, display, and webOS, users can realize free design for their own needs.



### All Day Viewing

TNF5J's excellent durability allows for use in kiosks that require a full 24/7 operation. TNF3J's strong 16/7 operation also provides a strong retail alternative.



### Wide Viewing Angle

IPS panel technology provides better control of the liquid crystals, which in turn allows the screen to be viewed at virtually any angle.



### 45-degree Tilt (Face up) Installation Possible

When a display is installed at low places, it is usually tilted for the user's viewing comfort. Considering this, the installation with a max tilt of 45 degrees is supported.



### 10 Points of Multi-Touch

The TNF5J provides a more realistic touch sensation since it can recognize up to 10 points of multi-touch at once, and various touch-based user services can be provided through the screen.



### High-Performance with webOS 6.0

webOS 6.0, upgraded in SoC\* and web engine, is available on TNF5J for a smooth execution of several tasks. LG webOS smart signage platform enhances user convenience with intuitive GUI\*\* and provides to SI or/and developers simple app development tools such as SDK (Software Development Kit), SCAP, sample applications.

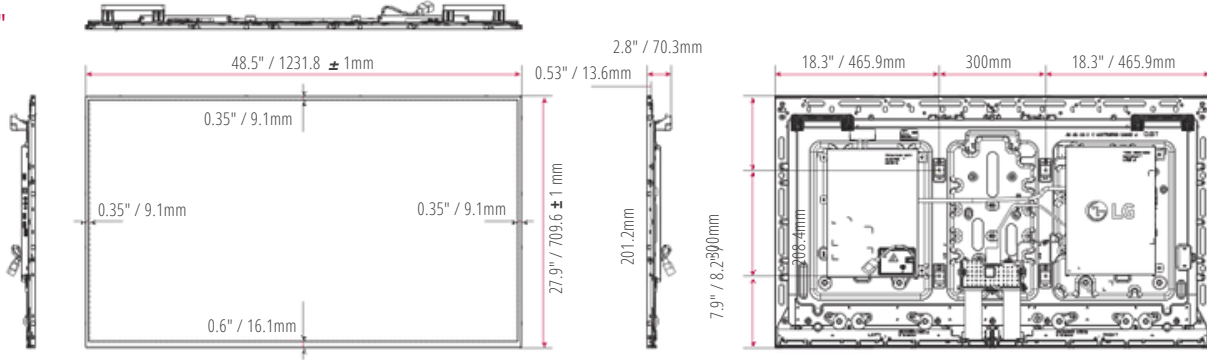
\* SoC : System On Chip

\*\* GUI : Graphical User Interface

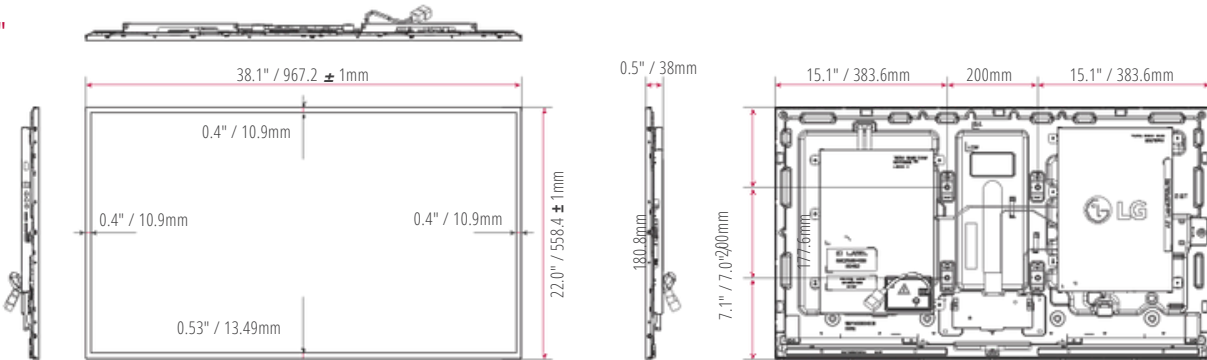
\* All images in this datasheet are for illustrative purposes only.

# DIMENSIONS

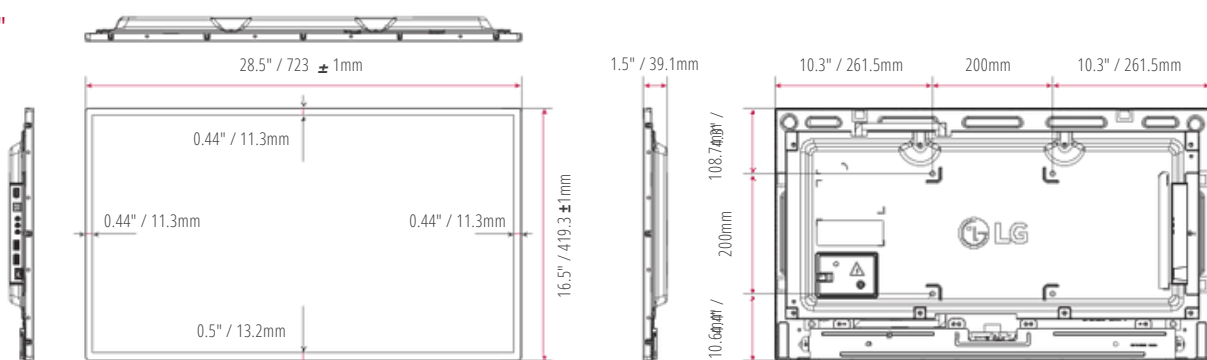
55"



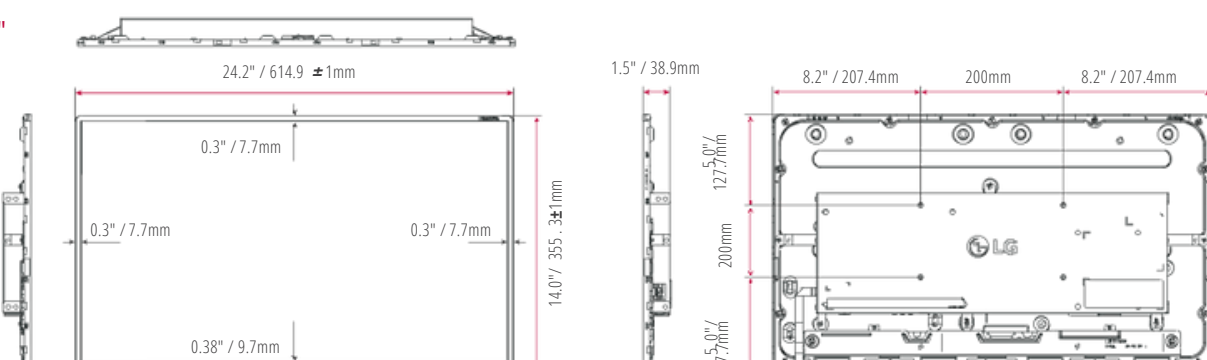
43"



32"



27"



\* Dimensions may differ from the above image, so please contact LG sales team to verify before ordering.

# SPECIFICATIONS

CATEGORY	SPEC ITEMS	55TNF5J	43TNF5J	32TNF5J	27TNF3K
DISPLAY	Screen Size (Inch)	55"	43"	32"	27"
	Panel Technology	IPS Touch	IPS Touch	IPS Touch	IPS Touch
	Back Light Type	Edge	Edge	Edge	Edge
	Aspect Ratio	16:9	16:9	16:9	16:9
	Native Resolution	3840x2160 (UHD)	3840x2160 (UHD)	1920x1080 (FHD)	1920x1080 (FHD)
	Refresh Rate	60Hz	60Hz	60Hz	60Hz
	Brightness (Typ.)	450 nits	500 nits	500 nits	300 nits
	Contrast Ratio	1,000:1	1,000:1	1,000:1	1,000:1
	Color gamut	NTSC 72%	NTSC 72%	NTSC 72%	BT709 95%
	Viewing Angle (H x V)	178 X 178	178 X 178	178 X 178	178 X 178
	Color Depth	10bit, 1.07Billion colors	10bit, 1.07Billion colors	8bit, 16.7 Million colors	8bit(D), 16.7 Million colors
	Response Time	9ms (G to G)	9ms (G to G)	9ms (G to G)	9ms (G to G)
	Surface Treatment(Haze)	Haze 3%	Haze 3%	Haze 3%	Haze 25%
	Life time	Up to 50,000 Hrs	Up to 50,000 Hrs	Up to 50,000 Hrs	Up to 50,000 Hrs
	Operation Hours (Hours/Day)	24/7	24/7	24/7	16/7
	Portrait / Landscape	Yes / Yes	Yes / Yes	Yes / Yes	Yes / Yes
	Available object size for touch	Greater than 0.6 mm	Greater than 0.6 mm	Greater than 0.6 mm	Greater than 0.6 mm
	Reponse Time( PC Win10, Education Mode)	Less than 90 ms	Less than 90 ms	Less than 90 ms	Less than 90 ms
	Accuracy (Typ.)	3.5mm	3.5mm	3.5mm	3.5mm
	CONNECTIVITY	Interface	USB2.0	USB2.0	USB2.0
Active Pen Interface		No	No	No	No
Operating System Support		Win 10	Win 10	Win 10	Win 10
Multi touch points		Max 10 Points	Max 10 Points	Max 10 Points	Max 10 Points
HDMI IN		Yes (x2), HDCP 2.2/1.4	Yes (x2), HDCP 2.2/1.4	Yes (x2), HDCP1.4	Yes (x2), HDCP1.4
RS232C IN		Yes	Yes	Yes	Yes
RJ45(LAN) IN		Yes	Yes	Yes	Yes
IR IN		Yes	Yes	Yes	Yes
USB IN		Yes (USB2.0 Type A)	Yes (USB2.0 Type A)	Yes (USB2.0 Type A)	Yes (USB2.0 Type A)
Audio Out		Yes	Yes	Yes	Yes
FEATURES	Touch USB				
	External Speaker Out	USB2.0 Type B(1)	USB2.0 Type B(1)	USB2.0 Type B(1)	USB2.0 Type B(1)
	Daisy Chain	No	No	No	No
	Internal Memory (eMMC)	No	No	No	No
	Wi-Fi (Built-in)	8GB (System 5GB + Available 2.48GB)	8GB (System 5GB + Available 2.48GB)	8GB (System 5GB + Available 2.48GB)	8GB (System 5GB + Available 2.48GB)
	Temperature Sensor	No	No	No	No
	Acceleration(Gyro) Sensor	Yes	Yes	Yes	Yes
	OS ver.	Yes	Yes	Yes	Yes
	Local Contents Scheduling	webOS6.0	webOS6.0	webOS6.0	webOS6.0
	Group Manager	Yes	Yes	Yes	Yes
	USB Plug & Play	Yes	Yes	Yes	Yes
	Fail over	Yes	Yes	Yes	Yes
	Bootimg Logo Image	Yes	Yes	Yes	Yes
	No Signal Image	Yes	Yes	Yes	Yes
	Video Tag	Yes	Yes	Yes	Yes
	Play via URL	Yes (x4)	Yes (x4)	Yes (x4)	Yes (x4)
	Screen Rotation	Yes	Yes	Yes	Yes
	Gapless Playback	Yes	Yes	Yes	Yes
	Setting Data Cloning	Yes	Yes	Yes	Yes
	SNMP	Yes	Yes	Yes	Yes
ISM Method	Yes	Yes	Yes	Yes	
Status Mailing	Yes	Yes	Yes	Yes	
Control Manager	Yes	Yes	Yes	Yes	
Cisco Certi.	Yes	Yes	Yes	Yes	
Crestron Inside	Yes	Yes	Yes	Yes	
Smart Energy Saving	Yes	Yes	Yes	Yes	
PM mode	Yes	Yes	Yes	Yes	
Wake on LAN	Yes	Yes	Yes	Yes	
Network Ready	Yes	Yes	Yes	Yes	
HDMI-CEC	Yes	Yes	Yes	Yes	
SI Server Setting	Yes	Yes	Yes	Yes	
webRTC	Yes	Yes	Yes	Yes	
Pro:Idiom	Yes	Yes	Yes	Yes	
	Yes	Yes	Yes	Yes	

# SPECIFICATIONS

TNF5J / TNF3K

CATEGORY	SPEC ITEMS	55TNF5J	43TNF5J	32TNF5J	27TNF3K
MECHANICAL	Bezel Color	Black	Black	Black	Silver
	Bezel Width	9.1/9.1/9.1/16.1mm	10.9/10.9/10.9/13.5 mm	11.3/11.3/11.3/13.2 mm	7.7/7.7/7.7/9.7mm
	Weight	37.0 lbs. / 16.8 kg	22.9 lbs. / 10.4 kg	12.3 lbs. / 5.6 kg	9.3 lbs. / 4.2 kg
	Shipping Weight	47.6 lbs. / 21.6 kg	27.3 lbs. / 12.4 kg	15.0 lbs. / 6.8 kg	13.7 lbs. / 6.2 kg
	Dimensions (W x H x D)	48.5 x 27.9 x 1.5 in. 1231.8 x 709.6 x 39.2 mm	38.1 x 22.0 x 1.5 in. 967.2 x 559 x 38.0 mm	28.5 x 16.5 x 1.5 in. 723.0 x 419.4 x 39.1 mm	24.2 x 14.0 x 0.6 in. 614.9 x 355.3 x 15.1 mm
	Shipping Dimensions (W x H x D)	53.5 x 32.9 x 6.9 in. 1360 x 835 x 175 mm	41.9 x 26.2 x 6.1 in. 1064 x 665 x 156 mm	32.0 x 20.1 x 5.6 in. 812 x 510 x 142 mm	27.8 x 17.8 x 6.7 in. 707 x 451 x 171 mm
	Handle	No	No	No	No
	Tilt (Face Up)	Yes (Max 45°)	Yes (Max 45°)	Yes (Max 45°)	Yes (Max 45°)
	Conformal Coating (Power Board)	Yes	Yes	Yes	Yes
	VESA™ Standard Mount Interface	300 x 300	200 x 200	200 x 200	200 x 100
ENVIRONMENT	Operation Temperature	0 °C to 40 °C	0 °C to 40 °C	0 °C to 40 °C	0 °C to 40 °C
	Operation Humidity	10% to 80%	10% to 80%	10% to 80%	10% to 80%
ELECTRICAL	Power Supply	AC 100-240V~, 50/60Hz	AC 100-240V~, 50/60Hz	AC 100-240V~, 50/60Hz	AC 100-240V~, 50/60Hz
	Power Type	Built-In Power	Built-In Power	Built-In Power	Built-In Power
	Power Consumption (Typ.)	127W	95W	55W	30W
	Power Consumption (Max.)	170W	110W	65W	35W
	Power Consumption (British Thermal Unit)	433 BTU/Hr(Typ.), 580BTU/Hr(Max.)	324 BTU/Hr(Typ.), 375BTU/Hr(Max.)	188 BTU/Hr(Typ.), 222BTU/Hr(Max.)	102 BTU/Hr(Typ.), 119 BTU/Hr(Max.)
	Power Consumption (Smart Energy Saving, ~70%)	89W	67W	39W	21W
	Power Consumption (DPM)	Less than 0.5 W	Less than 0.5 W	Less than 0.5 W	Less than 0.5 W
	Power Consumption (Power Off)	Less than 0.5 W	Less than 0.5 W	Less than 0.5 W	Less than 0.5 W
	Power Consumption (Power Off)	Yes	Yes	Yes	Yes
LG SOFTWARE COMPATIBILITY	SuperSign CMS	Yes	Yes	Yes	Yes
	SuperSign Control+	Yes	Yes	Yes	Yes
	SuperSign WB	No	No	No	No
	SuperSign Cloud	Yes	Yes	Yes	Yes
	Promota	No	No	No	No
	Mobile CMS	Yes	Yes	Yes	Yes
	Mobile CMS	Yes	Yes	Yes	Yes
	Connected Care	3-Year Limited	3-Year Limited	3-Year Limited	3 Year Limited
WARRANTY & OTHER	Warranty	1-95174-02763-9	1-95174-02762-2	1-95174-02761-5	1-95174-04479-7
	UPC	CB/NRTL	CB/NRTL	CB/NRTL	CB/NRTL
	Safety	FCC Class "A" / CE	FCC Class "A" / CE	FCC Class "A" / CE	FCC Class "A" / CE
	EMC	Yes	Yes	Yes	No
	ERP (Environmental)	Yes	Yes	Yes	No
	Onscreen Display Languages	English, French, German, Spanish, Italian, Korean, Chinese (Simplified), Chinese (Original), Portuguese (Brazil), Swedish, Finnish, Norwegian, Danish, Russian, Japanese, Portuguese (Europe), Dutch, Czech, Greek, Arabic, Türkçe, Polski	English, French, German, Spanish, Italian, Korean, Chinese (Simplified), Chinese (Original), Portuguese (Brazil), Swedish, Finnish, Norwegian, Danish, Russian, Japanese, Portuguese (Europe), Dutch, Czech, Greek, Arabic, Türkçe, Polski	English, French, German, Spanish, Italian, Korean, Chinese (Simplified), Chinese (Original), Portuguese (Brazil), Swedish, Finnish, Norwegian, Danish, Russian, Japanese, Portuguese (Europe), Dutch, Czech, Greek, Arabic, Türkçe, Polski	English, French, German, Spanish, Italian, Korean, Chinese (Simplified), Chinese (Original), Portuguese (Brazil), Swedish, Finnish, Norwegian, Danish, Russian, Japanese, Portuguese (Europe), Dutch, Czech, Greek, Arabic, Türkçe, Polski
	Accessories	1.5m Power Cord, 1.8m USB Cable (Type A-Type B) User Manual, QSG, Remote Control (includes 2 batteries), RS232C Adapter, IR Receiver	1.5m Power Cord, 1.8m USB Cable (Type A-Type B) User Manual, QSG, Remote Control (includes 2 batteries), RS232C Adapter, IR Receiver	1.5m Power Cord, 1.8m USB Cable (Type A-Type B) User Manual, QSG, Remote Control (includes 2 batteries), RS232C Adapter, IR Receiver	1.5m Power Cord, 1.8m USB Cable (Type A-Type B) User Manual, QSG, Remote Control (includes 2 batteries), RS232C Adapter, IR Receiver