



All screen images simulated for illustrative purposes only.

Wallpaper OLED Signage 55EJ5K

Ultra Thin Sophistication



Stunning Picture Quality



Single Screen or Tiled Expansion



Ultra Thin Sophisticated Design



Easy Installation

55EJ5K

Screen Size	55"
Panel Technology	OLED
Native Resolution	1,920 × 1,080 (FHD)
Brightness	150/400 nits (APL 100% / 25%)
Contrast Ratio	150,000:1
Response Time	1 ms (G to G), 8 ms (MPRT)
Portrait / Landscape	Yes / Yes





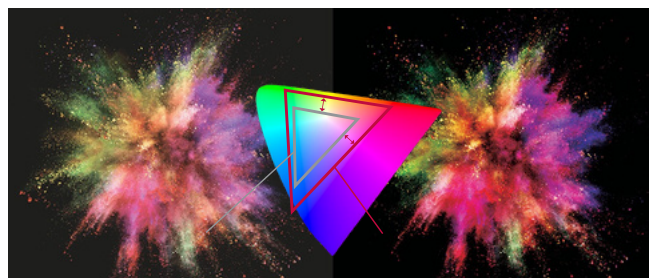
All screen images are simulated for illustrative purposes only.

LCD

LG OLED Signage

Perfect Black

Equipped with over 8 million self-lighting pixels operating individually, LG OLED Signage reproduces blacks with no light bleed and infinite contrast.



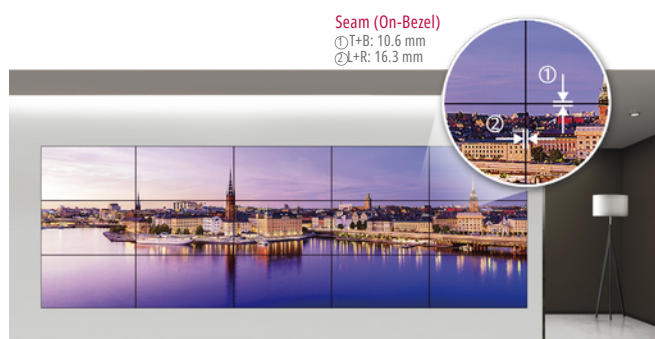
All screen images are simulated for illustrative purposes only.

LCD

LG OLED Signage

Rich Color

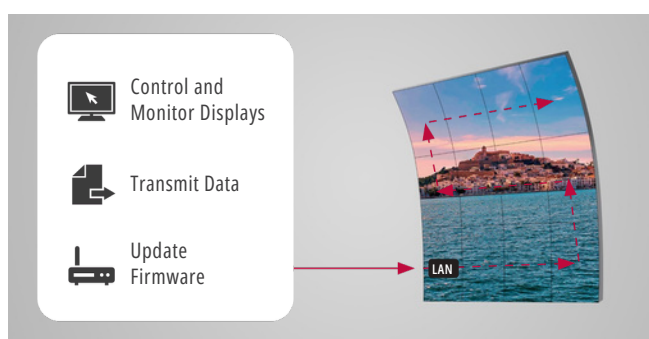
LG OLED Signage provides richness in all colors, bringing colors to life with jaw-dropping vividness. The 55EJ5K has a different polarizer from its predecessor that helps limit light reflecting off the display and deliver a rich, immersive experience.



All screen images are simulated for illustrative purposes only.

N×N Expandable Screen Size

By tiling up displays horizontally and vertically, the screen size can be as large as users want. Expansive, large displays are more engaging to viewers by providing an incredibly immersive viewing experience.



All screen images are simulated for illustrative purposes only.

LAN Daisy Chain Management

A LAN daisy chain is supported, allowing you to execute commands to control and monitor the displays and even update their firmware.



All screen images are simulated for illustrative purposes only.

Wall Fixers Optimized for Simple Tiling

LG's wall fixers have made the installation process of the wallpaper OLED much easier than with previous generations. Once the dedicated wall fixers are driven into a wall, a display can be easily hung on them. Video wall tiling has become more convenient, thanks to its front installation feature, which departs from the conventional side-sliding method.



All screen images are simulated for illustrative purposes only.

Enhanced Cable Flexibility

The 55EJ5K has cables that are pliable enough to be easily embedded in a wall or other structures for ease of installation.



All screen images are simulated for illustrative purposes only.

Sophisticated Design

LG's OLED technology unlocks the new worlds of design flexibility with unbelievably lightweight and slim display. The advantages the OLED display include ease of installation and an almost unbelievably sleek design aesthetic.

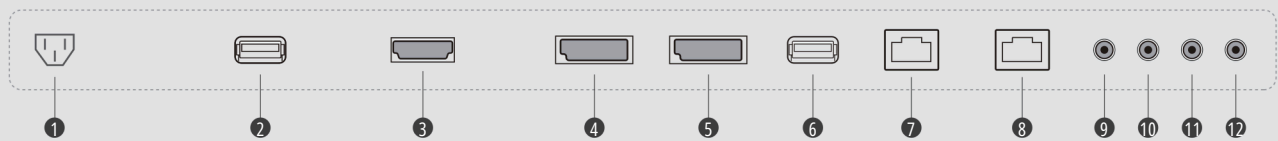


All screen images are simulated for illustrative purposes only.

Hide in Plain Sight

The subtle edge of the wallpaper OLED totally blends in with the wall, giving audiences the sensation that content is being played directly within the wall itself. Integrating with and adding to a luxurious interior design, the wallpaper OLED is an effective method for delivering advertisements and information.

CONNECTIVITY



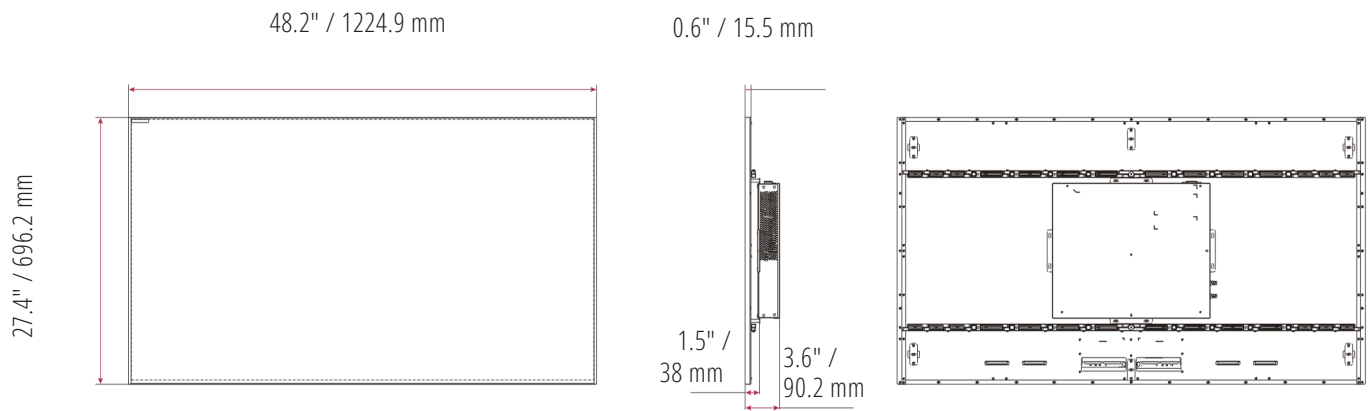
- 1 AC IN
- 2 USB IN 2
- 3 HDMI IN
- 4 DP IN
- 5 DP OUT
- 6 USB IN 1
- 7 LAN IN
- 8 LAN OUT
- 9 IR IN
- 10 RS-232C IN
- 11 RS-232C OUT
- 12 AUDIO OUT

* Jack Panels may differ from the above image, so please contact LG sales team to verify before ordering.

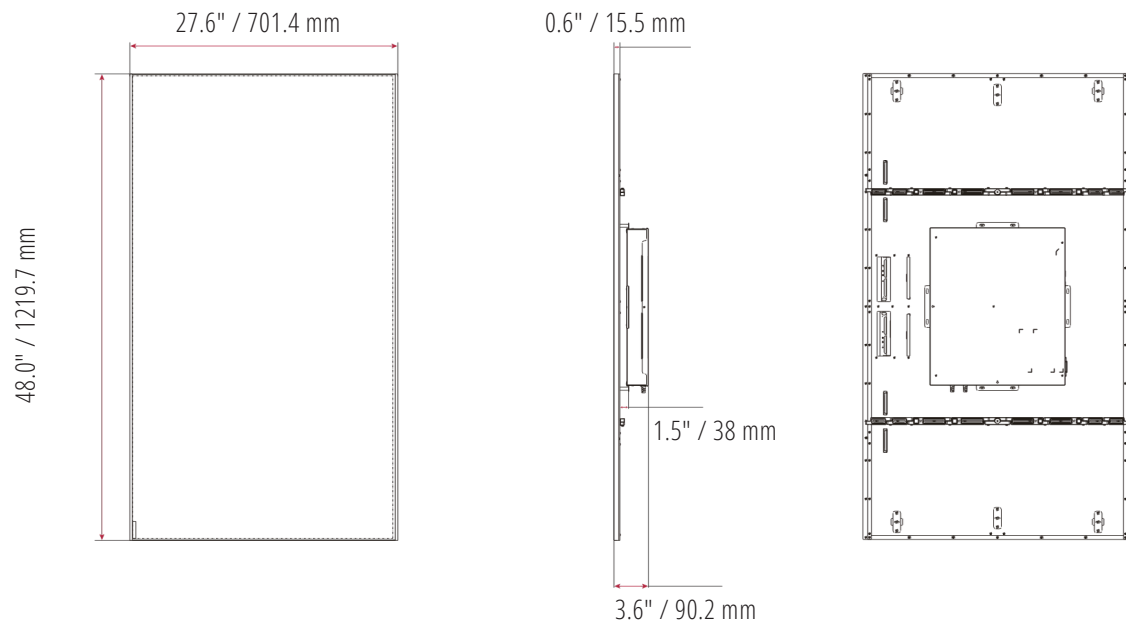


DIMENSIONS

Landscape



Portrait



SPECIFICATIONS

	MODEL	55EJ5K
PANEL	Screen Size	55"
	Panel Technology	OLED
	Aspect Ratio	16:9
	Native Resolution	1920x1080 (Full HD)
	Refresh Rate	120 Hz
	Brightness	400 nits
	Contrast Ratio	150,000:1
	Color gamut	BT709 120%
	Angle (H x V)	178° x 178°
	Color Depth	1.07 Billion colors
	Response Time (G to G)	1 ms
	Surface Treatment (Haze)	Hard coating (2H)
	Lifetime (Typ.)	30,000 Hrs
	Operation Hours (Hours/Days)	18/7 (Non-Static Content Only)
CONNECTIVITY	Portrait / Landscape	Yes / Yes
	HDMI	Yes (1), HDCP1.4
	DP	Yes (1), HDCP1.3
	RS232C In	Yes (1)
	RJ45(LAN)	Yes (1)
	IR In	Yes (1), External IR Receiver
	USB In	USB 2.0 Type A(2)
	DP Out	Yes (1)
	Audio Out	Yes (1)
	RS232C OUT	Yes (1) (w/ IR out)
	RJ45 (LAN)	Yes (1)
	Bezel Color	Black
	Bezel Width - Off Bezel (T/R/L/B):	0.6 / 6.7 / 6.7 / 0.6 mm (Landscape Model), 0.6 / 6.7 / 6.7 / 0.6 mm (Portrait Model)
	Bezel Width - On Bezel (T/R/L/B):	5.0 / 7.6 / 7.6 / 10.6 mm (Landscape Model), 5.0 / 13.2 / 7.8 / 5.0 mm (Portrait Model)
MECHANICAL	Weight - Screen	12.8 lbs / 5.8 kg (Landscape Model), 15.4 lbs / 7.0 kg (Portrait Model)
	Weight - Signage box	7.7 lbs, 3.5 kg
	Shipping Weight	37.5 lbs / 17.0 kg (Landscape Model), 38.8 lbs / 17.6 kg (Portrait Model)
	Dimensions - Landscape Model with Pemnut (W x H x D)	48.2 x 27.4 x 1.5 in, 1224.9 x 696.2 x 38.0 mm
	Dimensions - Landscape Model without Pemnut (W x H x D)	48.2 x 27.4 x 0.5 in, 1224.9 x 696.2 x 12.4 mm
	Dimensions - Portrait Model with Pemnut (W x H x D)	27.6 x 48.0 x 1.5 in, 701.4 x 1219.7 x 38.0 mm
	Dimensions - Portrait Model without Pemnut (W x H x D)	27.6 x 48.0 x 0.5 in, 701.4 x 1219.7 x 12.4 mm
	Dimensions - Signage Box (W x H x D)	16.3 x 13.9 x 2.3 in, 413 x 353 x 57.3 mm
	Shipping Dimensions (W x H x D)	53.5 x 33.1 x 9.9 in, 1360 x 842 x 252 mm
	VESA™ Standard Mount Interface	No
	Built-in Speakers	No
	Operation Temperature	32°F to 104°F, 0°C to 40°C
	Operation Humidity	10% to 80%
	KEY FEATURES	Internal Memory
Built-in Wi-Fi		No
Temperature Sensor		Yes
webOS ver.		webOS 4.0
Local Contents Scheduling		Yes
Group Manager		Yes
USB Plug & Play		Yes
Fail over		Yes
RS-232C Sync		Yes
Local Network Sync		Yes
Video Tag		Yes (4)
Screen Rotation		Yes
External Input Rotation		Yes
Gapless Playback		Yes
Tile Mode Setting	Yes	
Setting Data Cloning	Yes	
SNMP	Yes	
ISM Method	Yes	
Auto Set ID	Yes	
Status Mailing	Yes	
Control Manager	Yes	
Crestron Inside	Yes	
PM mode	Yes	
Wake on LAN	Yes	
HDMI-CEC	Yes	
SI Server Setting	Yes	
Pro:Idiom DRM	Yes	
Power Supply	100-240 Vac, 50/60Hz	
Power Type	Built-In Power	
Typ. Power Consumption	309 W	
Max. Power Consumption	318 W	
DPM	3 W	
Power off	0.5 W	
SuperSign CMS	Yes (v3.0)	
SuperSign Control / Control+	Yes (v1.7 / v1.9)	
SuperSign White Balance	Yes (v3.7.15)	
SuperSign Media Editor	Yes (v3.7)	
LG ConnectedCare	Yes (v2.9)	
Warranty	3 Year Limited	
LG SOFTWARE & SERVICES*	FCC (Regulatory)	Class "A"
	CE (Regulatory)	Yes
	IEC/EN/UL 60950-1 (EMC)	Yes
	ErP (Environmental)	Yes
WARRANTY & OTHER		
	Basic Accessories	Remote Control (battery 2ea), Power Cord, QSG, IR receiver, Regulation Book, Phone to RS232C Gender, DP Cable (2m), LAN Cable (2m), RS232 Cable (4P-4P, 1.5m), LC Cable (VLC 3m), Tape (4ea for Cabling), Screws (M3xL4.5, 30ea / M3xL5.5, 50ea / M3xL3.5, 10ea), Shield Cover Assembly, Tiling Set Fixer (6ea), Flex Bar (2ea)

* Available for an additional fee



 **Call us at (833) 351-5333**
 **Visit us: www.elevate-b2b.com**

Contact Elevate B2B Today

Your trusted partner for hospitality TVs, digital signage, and commercial display solutions. From installation to supply chain support, Elevate B2B delivers the technology and service your property needs.



-  <https://www.lg.com/us/business/commercial-display>
-  <https://www.twitter.com/LGCommDisplays>
-  <https://www.facebook.com/LGcommercialdisplays>
-  <https://www.linkedin.com/company/lg-commercial-displays-usa>
-  <https://www.youtube.com/lgcommercialdisplayusa>

Copyright 2022 ©LG Electronics USA, Inc., 2000 Millbrook Drive Lincolnshire, IL 60069, USA.
All rights reserved. LG and the LG logo are registered trademarks of LG Corp. All other products and brand names are trademarks or registered trademarks of their respective companies. Designs, features, and specifications are subject to change without notice. All screen images are simulated.
SPEC_55EJ5K_092218_LR