



* 55 inch

* All images in this datasheet are for illustrative purposes only.

Commercial TV UN570H Series

Commercial Lite Pro:Centric Value **Pro:Centric Direct** Pro:Centric Direct Smart

Pro:Centric[®] Direct Hospitality UHD TV with Embedded *b*-LAN™



4K UHD



Pro:Idiom



Pro:Centric Direct

UN570H Series

Design	Stand Type	65" / 1 pole (Fixed)
		55" / 50" / 43" / 1 pole (Swivel)
Display	Diagonal	3,840 x 2,160 (4K UHD)
	Resolution	ATSC, Clear QAM
Broadcasting	Digital	NTSC
	Analog	
Solution	Pro:Centric(Direct 5.5, PCA 3.8)	
VESA	65" / 55":	300 x 300
	50" / 43":	200 x 200



4K UHD, Vibrant Viewing in Ultra High Resolution

LG UHD TV displays virtually lifelike picture quality and vivid colors with four times more pixel accuracy than Full HD.



Pro:Centric Direct

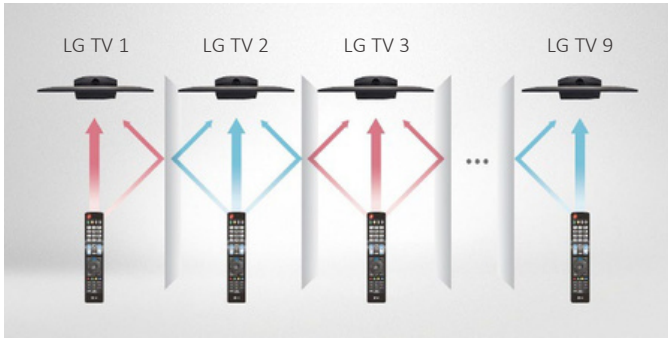
The hotel content management solution Pro:Centric Direct offers easy and simple editing tools, making it easy to perform service and IP network-based remote management.* The Pro:Centric Direct solution enables users to edit their interface easily by providing customized interface and efficiently manages all TVs in the room. The latest PCD version provides IoT-based in-room control. The IoT function will be your starting point to prepare for the hotel rooms of next generation through artificial intelligence.

* Specific feature set based on PCD version.



Pro:Idiom

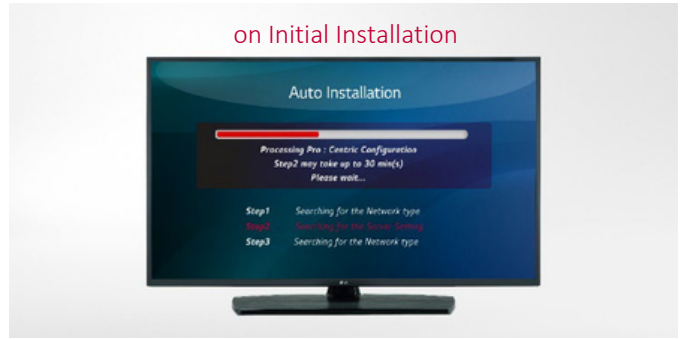
DigitalRights Management (DRM) technology provides access to premium content to help assure rapid and broad deployment of HDTV and other high-value digital content.



Multi-code IR

Multi-code IR*function eliminates any remote-control signal interaction between multiple TVs in one place. LG hospital TV supports this when used with the Multi-code IR remote control, so users can freely control their own TVs without disturbing the others.

* Multi-code IR remote control is not provided by LG. (sold separately)



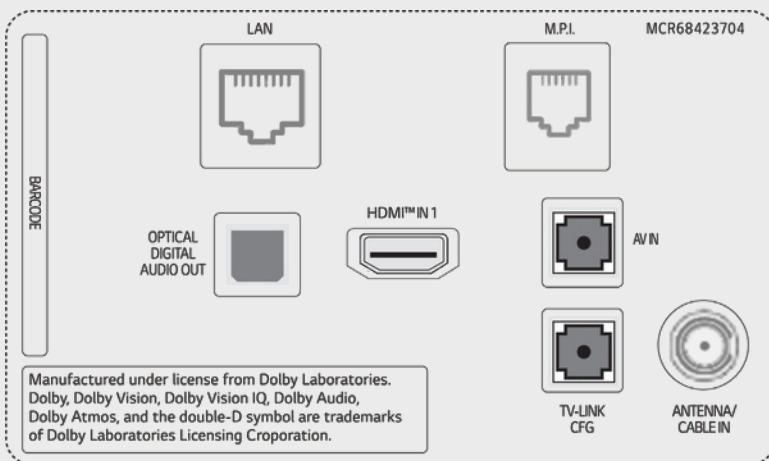
Ez-Manager

Ez-Manager provides a convenient installation function automatically set up for Pro:Centric TV that provides less effort and process than manual installation.

CONNECTIVITY

65" / 55" / 50" / 43"

Rear



Side



SPECIFICATIONS

		65UN570H0UD	55UN570H0UA	50UN570H0UA	43UN570H0UA
Category	Category	Pro:CentricEnhanced	Pro:CentricEnhanced	Pro:CentricEnhanced	Pro:CentricEnhanced
Design	Stand Type	1 pole (Fixed)	1 pole (Swivel)	1 pole (Swivel)	1 pole (Swivel)
	Front Color	Dark Ash Charcoal	Dark Ash Charcoal	Dark Ash Charcoal	Dark Ash Charcoal
Display	Diagonal	65"	55"	50"	43"
	Resolution	3,840 x2,160 (UHD)	3,840 x2,160 (UHD)	3,840 x2,160 (UHD)	3,840 x2,160 (UHD)
Video	HDR 10 Pro / HDR HLG	Yes / Yes	Yes / Yes	Yes / Yes	Yes / Yes
	Game Optimizer	Yes	Yes	Yes	Yes
Audio	Speaker (Sound Output)	10 W + 10 W	10 W + 10 W	10 W + 10 W	10 W + 10 W
	Speaker System	2.0 ch	2.0 ch	2.0 ch	2.0 ch
Broadcasting	Analog	NTSC	NTSC	NTSC	NTSC
	Digital (Terrestrial / Cable / Satellite)	ATSC, Clear QAM	ATSC, Clear QAM	ATSC, Clear QAM	ATSC, Clear QAM
Hospitality Solution	Solution Type	Pro:Centric(Direct 5.5, PCA3.8)	Pro:Centric(Direct 5.5, PCA3.8)	Pro:Centric(Direct 5.5, PCA3.8)	Pro:Centric(Direct 5.5, PCA3.8)
	Pro:Idiom(Mobile, Lite)	Yes	Yes	Yes	Yes
Smart Features	Smart Home (Launcher Bar), Quick Access, HDMI-ARC (HDMI 2), Wake on RF, Diagnostics (RF Remote), Simplink(HDMI-CEC) (1.4), Anti-theft System (Kensington Lock, Credenza/Security Aperture (Except 65")), Lock Down Plate (for Easy Installing) (Except 65"))				
Hospitality Features	Port Block, Insert Image, Instant ON, Auto Off / Sleep Timer, Energy Saving Mode, b-LAN Embedded				
Connectivity	Set Side	HDMI 2.0 In (x2), USB 2.0 In, Service Only (3.5mm Stereo), RS-232C In (3.5 mm TRRS), Speaker/Line Out (3.5 mm Stereo)			
	Set Rear / Bottom	HDMI 2.0 In, RF Antenna/Cable In (Single b-LAN), AV In (3.5 mm Stereo), Digital Audio Out (Optical), TV-LINK CFG (3.5 mm Stereo), RJ45 (LAN), M.P.I.			
Mechanical	VESA Compatible	300 x 300 mm	300 x 300 mm	200 x 200 mm	200 x 200 mm
	Dimensions (W x H x D)	57.2 x 33.0 x 2.3 in. 1,454 x838 x57.7 mm	48.6 x 28.1 x 2.3 in. 1,235 x715 x57.5 mm	44.1 x 25.6 x 2.2 in. 1,121 x651 x57.1 mm	38.1 x 22.2 x 2.2 in. 967 x564 x57.1 mm
	Weight	47.4 lbs. / 21.5 kg	30.9 lbs. / 14.0 kg	26.7 lbs. / 12.1 kg	19.4 lbs. / 8.8 kg
	Dimensions with Stand (W x H x D)	57.2 x 35.8 x 13.4 in. 1,454 x909 x340 mm	48.6 x 30.6 x 11.9 in. 1,235 x777 x303 mm	44.1 x 28.1 x 11.9 in. 1,121 x713 x303 mm	38.1 x 24.5 x 11.9 in. 967 x 623 x 303 mm
	Weight with Stand	50.5 lbs. / 22.9 kg	37.9 lbs. / 17.2 kg	33.7 lbs. / 15.3 kg	26.5 lbs. / 12.0 kg
	Shipping Dimensions (W x H x D)	63.0 x 38.2 x 9.0 in. 1,600 x970 x228 mm	53.5 x 33.9 x 8.1 in. 1,360 x860 x207 mm	51.9 x 31.9 x 7.4 in. 1,317 x810 x188 mm	42.3 x 26.0 x 8.0 in. 1,075 x660 x203 mm
	Shipping Weight	63.7 lbs. / 28.9 kg	49.2 lbs. / 22.3 kg	41 lbs. / 18.6 kg	34.0 lbs. / 15.4 kg
	On Bezel Width (L / R / U / B)	12.8 / 12.8 / 12.8 / 19.9 mm	12.8 / 12.8 / 12.8 / 19.9 mm	12.8 / 12.8 / 12.8 / 19.9 mm	12.8 / 12.8 / 12.8 / 19.9 mm
Off Bezel Width (L / R / U / B)	6.8 / 6.8 / 6.8 / 18.4 mm	6.9 / 6.9 / 6.9 / 18.4 mm	7.3 / 7.3 / 7.8 / 18.4 mm	6.9 / 6.9 / 6.9 / 18.4 mm	
Power	Power Consumption (Typ. / Max.)	170 W / 200 W	140 W / 170 W	120 W / 145 W	100 W / 120 W
	Power Supply (Voltage, Hz)	100-240 Vac, 50/60 Hz	100-240 Vac, 50/60 Hz	100-240 Vac, 50/60 Hz	100-240 Vac, 50/60 Hz
Warranty & Other	Warranty	3 Year Limited	3 Year Limited	3 Year Limited	3 Year Limited
	Certification	FCC	FCC	FCC	FCC
	UPC	1 95174 05768 1	1 95174 05769 8	1 95174 05770 4	1 95174 05772 8



Call us at (833) 351-5333
Visit us: www.elevate-b2b.com

Contact Elevate B2B Today

Your trusted partner for hospitality TVs, digital signage, and commercial display solutions. From installation to supply chain support, Elevate B2B delivers the technology and service your property needs.

*Specifications are subject to change without notice. Please make sure to check the product manual for details about product usage.