



\* 55 inch

\* All images in this datasheet are for illustrative purposes only.

## Commercial TV UM777H Series

CommercialLite

Pro:CentricValue

Pro:CentricDirect

**Pro:Centric Smart**



# 4K Ultra HD Smart TV



4K UHD



Pro:Centric Direct



Pro:Idiom

### UM777H Series

75/65UM777H0UG, 55/50UM777H0UA

Design Stand Type

75" / 65": 1 pole (Fixed)  
55" / 50": 1 pole (Swivel)

Display Size  
Resolution

75" / 65" / 55" / 50"  
3,840 x 2,160 (4K UHD)

Broadcasting System

Digital ATSC, Clear QAM  
Analog NTSC

Global IPTV Support Yes

VESA

75": 400 x 400 mm 65" /  
55": 300 x 300 mm 50":  
200 x 200 mm



## Pro:Centric Direct

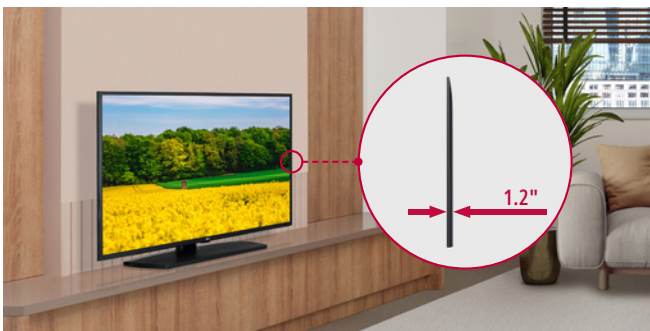
The Pro:Centric Direct hotel content management solution offers simple editing tools, making it easy to perform service and IP network-based remote management with a single click. Pro:Centric Direct enables users to customize their interface easily and efficiently manage all TVs in the facility. The most recent version\* provides IoT-based in-room control as well as voice control through LG Natural Language Processing.

\* Some features may not be supported based on PCD versions.



## Easily Accessible to Netflix Application with Pro:Centric Direct

Pro:Centric Direct, the easy and simple management solution for hotel content creates a memorable experience for your clients. Especially, the Netflix App can be activated (Netflix membership required).



## Slim Depth for a Sleek Look

With a slim design, the UM777H series integrates smoothly with interiors, delivering a modern impression to your guests



## Soft AP

Software-enabled Access Point\* (SoftAP) is a virtual Wi-Fi feature that uses TV as a wireless hotspot, enabling guests to connect their own devices to the SoftAP

\* Screen Share may not be operated at the same time.



## Pro:Idiom

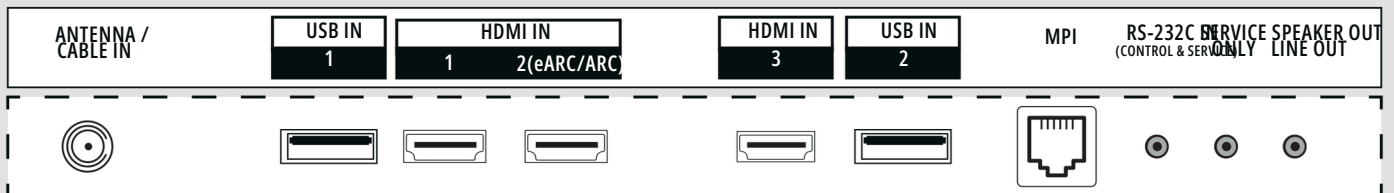
DRM (digital rights management) technology unlocks access to premium content to help assure rapid and broad deployment of HDTV and other high-value digital content. DRM technology also prevents any illegal copying of content.

\* All images are for illustrative purposes only.

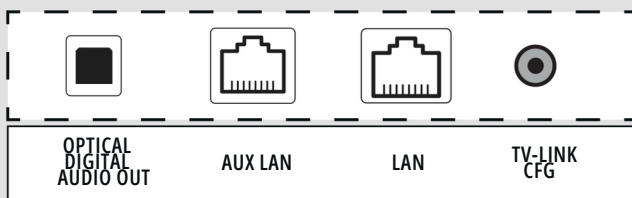
## CONNECTIVITY

75" / 65" / 55" / 50"

### Side Access

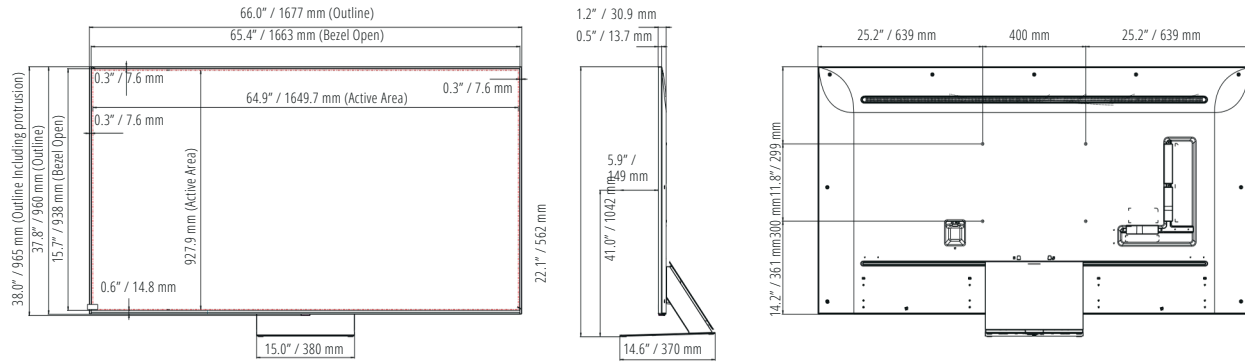


### Bottom Access

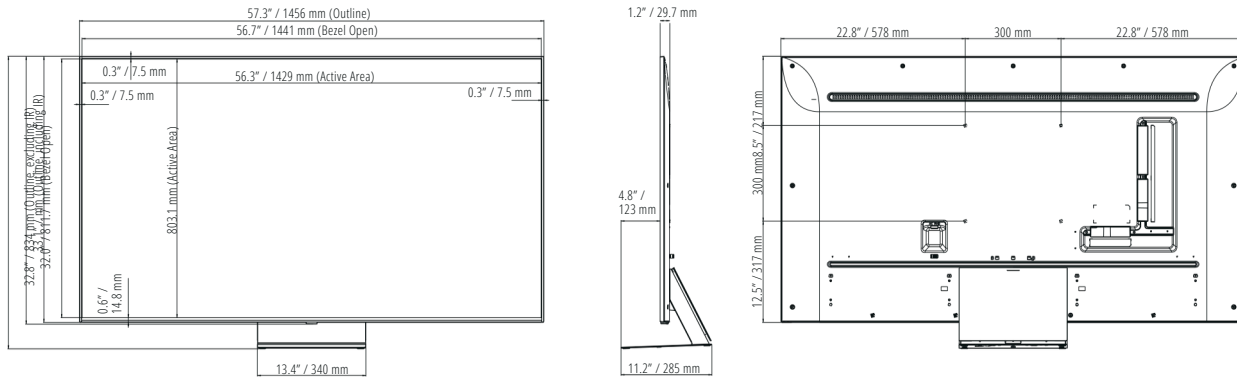


# Technical Drawings

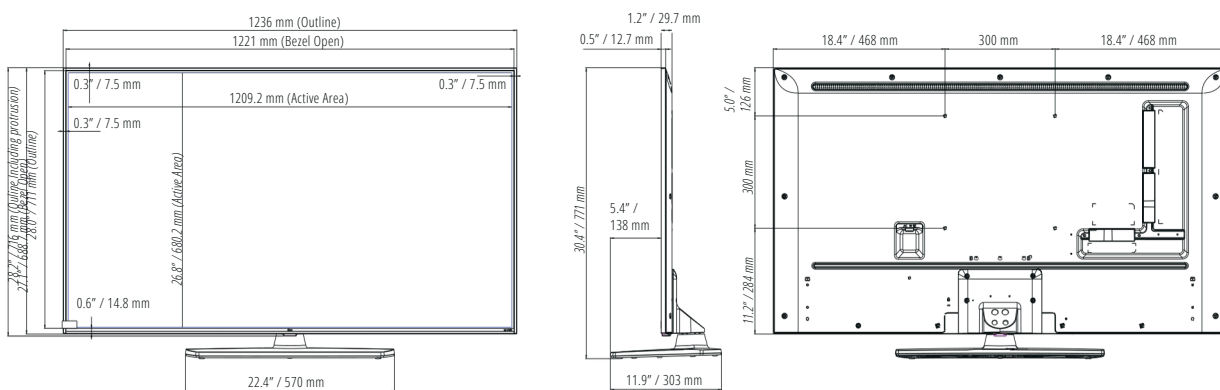
75"



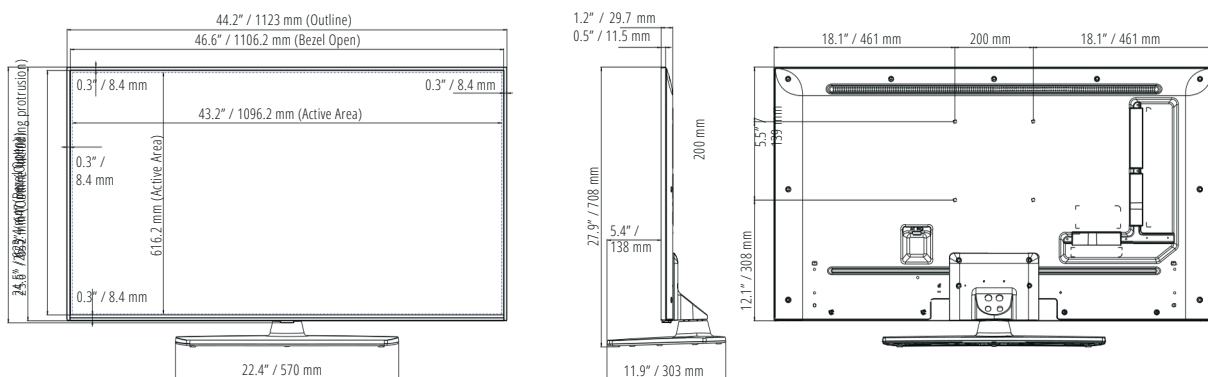
65"



55"



50"



## SPECIFICATIONS

		<b>75U M7 7 7H 0 UG</b>	<b>65UM7 7 7H0UG</b>	<b>55UM7 7 7H0UG</b>	<b>5 0 UM7 7 7H0UG</b>
<b>CATEGORY</b>	Category Diagonal	Pro:Centric Smart	Pro:Centric Smart	Pro:Centric Smart	Pro:Centric Smart
<b>DISPLAY</b>	Resolution Brightness	75"	65"	55"	50"
	(Typ.) AI Picture Pro HDR 10 Pro / HDR HLG	3,840 × 2,160 (4K Ultra HD) 420 nits	3,840 × 2,160 (4K Ultra HD) 420 nits	3,840 × 2,160 (4K Ultra HD) 380 nits	3,840 × 2,160 (4K Ultra HD) 420 nits
<b>VIDEO</b>	Game Optimizer	Yes	Yes	Yes	Yes
	Speaker (Audio Output)	Yes / Yes	Yes / Yes	Yes / Yes	Yes / Yes
<b>AUDIO</b>	AI Sound AI Acoustic	Yes	Yes	Yes	Yes
	Tuning LG Sound Sync	20 W	20 W	20 W	20 W
	Digital Analog Global IPTV Support	Yes	Yes	Yes	Yes
		Yes (Ready, MMR Required) Optical/Bluetooth wireless ATSC/Clear QAM	Yes (Ready, MMR Required) Optical/Bluetooth wireless ATSC/Clear QAM	Yes (Ready, MMR Required) Optical/Bluetooth wireless ATSC/Clear QAM	Yes (Ready, MMR Required) Optical/Bluetooth wireless ATSC/Clear QAM
<b>BROADCASTING SYSTEM</b>		NTSC	NTSC	NTSC	NTSC
		Yes	Yes	Yes	Yes
<b>HOSPITALITY SOLUTION</b>	Solution Type	Pro:Centric (Smart, Direct, V), webRTC	Pro:Centric (Smart, Direct, V), webRTC	Pro:Centric (Smart, Direct, V), webRTC	Pro:Centric (Smart, Direct, V), webRTC
	Pro:Idiom (DRM / Media)	Yes / Yes	Yes / Yes	Yes / Yes	Yes / Yes
<b>SMART FUNCTION</b>	webOS23, Web Browser, Magic Remote Compatibility (Ready), Multi View, Gallery Mode, Wi-Fi, Bluetooth, SoftAP, Screen Share, DIAL, Bluetooth Audio Playback, HDMI-eARC/ARC (HDMI 2), Voice Recognition (Standalone/Solution), IoT, Anti-theft System (Kensington Lock, Credenza / Security Aperture (55"/50": Need Stand), Lock Down Plate (55"/50": Need Stand))				
<b>HOSPITALITY FEATURES</b>	EzManager, USB Cloning, Wake on RF, WOL, Diagnostics (IP Remote), HTNG-CEC (1.4), Simplink (HDMI-CEC) (1.4), IR Out (RS-232C, MPI), Multi-code IR, Installer Menu, Welcome Screen (Splash Image), Insert Image, One Channel Map (LCM), Instant ON, VLAN ID, Mobile Remote, Port Block, Lock Mode (Limited), RJP (Remote Jack Pack) Compatibility (Teleadap/Guestlink (HDMI-CEC), b-LAN, Energy Saving Mode, BEACON				
<b>JACK INTERFACE</b>	Side Access	Antenna/Cable In (Dual b-LAN), HDMI in x3 (2.0), USB In x2 (2.0), MPI Port (RJ12), RS-232C (3.5 mm TRRS), Speaker Out/Line Out (3.5 mm Stereo), Service Only (3.5 mm TRS)			
	Bottom Access	Optical Digital Audio Out, TV-Link CFG (3.5 mm TRS) (b-LAN Service), LAN (RJ45), Aux LAN (RJ45)			
<b>MECHANICAL</b>	Stand Type	1 pole (Fixed)	1 pole (Fixed)	1 pole (Swivel)	1 pole (Swivel)
	Front Color	Dark Charcoal Gray	Dark Charcoal Gray	Dark Charcoal Gray	Dark Charcoal Gray
	VESA Compatible	400 × 400 mm	300 × 300 mm	300 × 300 mm	200 × 200 mm
	W × H × D (without Stand)	66.0 x 37.8 x 1.2 in / 1,677 x 960 x 30.9 mm	57.3 x 33.1 x 1.2 in / 1,456 x 840 x 29.7 mm	48.7 x 28.2 x 1.2 in / 1,236 x 716 x 29.7 mm	44.2 x 25.7 x 1.2 in / 1,123 x 652 x 29.7 mm
	Weight (without Stand)	73.4 lbs / 33.3 kg	52.0 lbs / 23.6 kg	33.1 lbs / 15.0 kg	28.7 lbs / 13.0 kg
	W × H × D / Weight (with Stand)	66.0 x 41.0 x 14.6 in / 1,677 x 1,042 x 370 mm	57.3 x 35.8 x 11.2 in / 1,456 x 909 x 285 mm	48.7 x 30.4 x 11.9 in / 1,236 x 771 x 303 mm	44.2 x 27.9 x 11.9 in / 1,123 x 708 x 303 mm
	Weight (with Stand)	91.5 lbs / 41.5 kg	60.4 lbs / 27.4 kg	40.1 lbs / 18.2 kg	35.7 lbs / 16.2 kg
	W × H × D / Weight (In Shipping)	71.7 x 47.4 x 9.0 in / 1,820 × 1,205 × 228 mm	63.0 x 38.2 x 8.0 in / 1,600 × 970 × 203 mm	53.5 x 31.9 x 7.4 in / 1,360 × 810 × 187 mm	47.8 x 29.7 x 7.4 in / 1,215 × 755 × 187 mm
	Weight (In Shipping)	115.5 lbs / 52.4 kg	76.5 lbs / 34.7 kg	47.6 lbs / 21.6 kg	42.1 lbs / 19.1 kg
	On Bezel Width (L/R/T/B)	13.6 / 13.6 / 13.6 / 18.2 mm	13.5 / 13.5 / 13.5 / 17.4 mm	13.4 / 13.4 / 13.4 / 17.4 mm	13.4 / 13.4 / 13.4 / 17.4 mm
Off Bezel Width (L/R/T/B)	7.6 / 7.6 / 7.6 / 14.8 mm	7.5 / 7.5 / 7.5 / 14.8 mm	7.5 / 7.5 / 7.5 / 14.8 mm	8.4 / 8.4 / 8.4 / 15.2 mm	
<b>ELECTRICAL</b>	Power Supply (Voltage, Hz)	100-240 Vac, 50/60 Hz	100-240 Vac, 50/60 Hz	100-240 Vac, 50/60 Hz	100-240 Vac, 50/60 Hz
	Power Consumption (Max.)	189 W	144 W	136 W	119 W
	Power Consumption (Typ.)	163 W	128 W	121.7 W	101 W
	Standby Power Consumption	Under 0.5 W	Under 0.5 W	Under 0.5 W	Under 0.5 W
<b>WARRANTY &amp; OTHER</b>	Warranty	2 Year Limited	2 Year Limited	2 Year Limited	2 Year Limited
	Certifications	UL, FCC	UL, FCC	UL, FCC	UL, FCC
	UPC	1 95174 06523 5	1 95174 06546 4	1 95174 06520 4	1 95174 06518 1
Accessories	Remote Type (S-Con / MMR (Optional)), Power Cable (1.8 m / Angle Type)				